



**Skilled  
personnel is  
one of the  
most valuable  
resources in  
your company.  
Ensure your  
personnel's  
safety -  
ensure your  
production  
resources.**

## Milling machine guard

The milling machine guard has a flexible, mobile shaft which can be moved both vertically and horizontally. Due to this incomparable mobility the guard can easily be moved to the place needed. The milling machine guard can be provided with a working light. It has a similar replaceable safety screen as the lathe guard.

### Technical information:

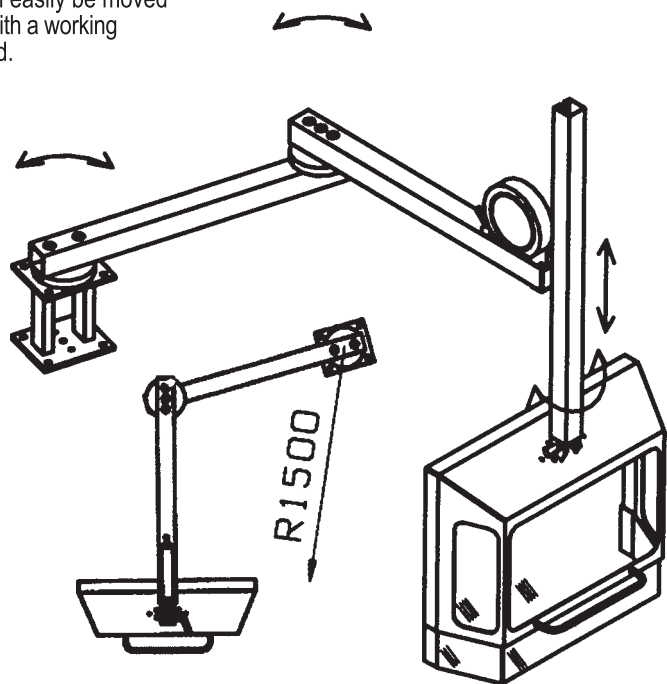
The body of the guard is pearl grey (RAL 9002) steel sheet. The shafts are aluminium. The glass shield is laminated 5 mm triplex glass. The lighting consists of 2 x 15 W/24V fluorescent tube (3000 lux/40 cm). The transformer is 230/24 V, 40 VA.

### Measures of guard:

width	630 mm
height	430 mm
height of glass shield	300 mm
width of glass shield	100+450+100 mm
weight	12 kg

### Measures of shafts:

length (horizontal)	2 x 800 mm
height (vertical)	1000 mm
vertical movement	700 mm



Distributor:

**PAAKKILAN  
KONEPAJA OY**

FI-71240 Paakkila, Finland  
tel + 358 (0)17 664 5511  
fax +358 (0)17 664 5530  
toimisto@paakkilankonepaja.fi

